

Performance
Efficiency

Design

Bring comfort
warmth and value
home



Dutchwest
Catalytic
Wood Stoves

EST. 1974
DUTCHWEST
BY VERMONT CASTINGS

Function

Value

Heart of your home



Fast and Efficient. Beautiful and Convenient.

The Dutchwest Catalytic Wood Stove line features solid cast iron construction for quality you can see – and feel. With three different sizes, you can easily find the right stove for any room size. They're fast starting, long burning, and remarkably efficient. Just what you would expect from Dutchwest.

Dutchwest Cast Iron Catalytic Wood Stoves Models • 2460 • 2461 • 2462

DUTCHWEST

Small Convection

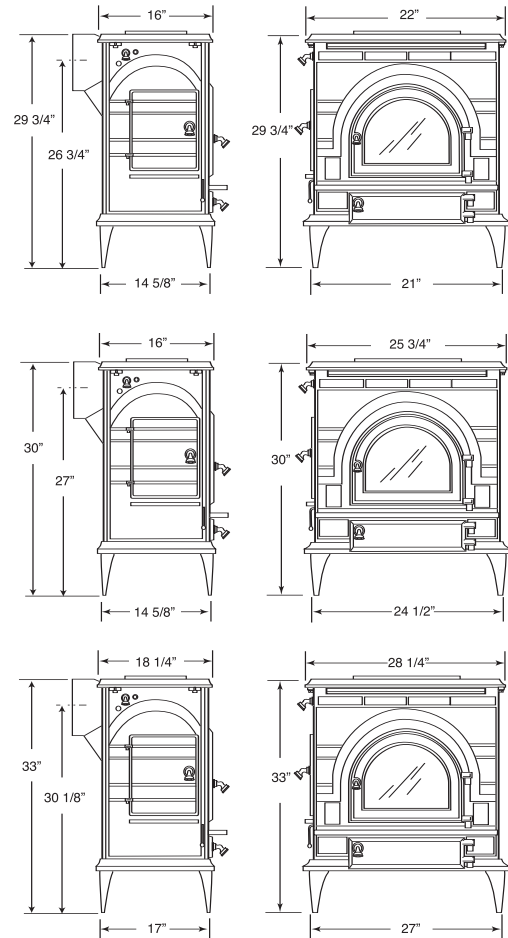
Log Length: 19"
 Maximum Burn Time: 8 hours
 Heating Capacity: 700 to 1,400 sq. ft.
 Maximum Heat Output: 35,000 BTU's/hr.
 Efficiency Rating: 69.7%
 EPA Emissions Rating: 1.1 grams/hr.
 Weight: 380 lbs.
 Flue Collar: 6" round, reversible
 Clearances (with optional shields)
 Back: 14"
 Corner: 15"

Large Convection

Log Length: 22"
 Maximum Burn Time: 9 hours
 Heating Capacity: 800 to 1,600 sq. ft.
 Maximum Heat Output: 40,000 BTU's/hr.
 Efficiency Rating: 75.9%
 EPA Emissions Rating: 1.4 grams/hr.
 Weight: 436 lbs.
 Flue Collar: 6" round, reversible
 Clearances (with optional shields)
 Back: 14"
 Corner: 15"

Extra-Large Convection

Log Length: 25"
 Maximum Burn Time: 12 hours
 Heating Capacity: 1,200 to 2,400 sq. ft.
 Maximum Heat Output: 55,000 BTU's/hr.
 Efficiency Rating: 74.3%
 EPA Emissions Rating: 1.3 grams/hr.
 Weight: 634 lbs.
 Flue Collar: 8" oval, reversible
 Clearances (with optional shields)
 Back: 18"
 Corner: 17"



Features and Benefits

Exclusive Dutchwest Advantages:

- Traditional Federal styling
- Convection system for spreading the heat
- Three models – small, large, and extra-large to suit any heating need
- Industry's lowest smoke emissions
- Convenient ash pan and side loading

- Glass panel with overfire airwash for clear fire viewing
- High efficiency – more heat from less wood
- Solid, durable cast iron construction
- Decorative polished nickel accents
- Raised griddle for stovetop cooking

Optional Accessories:

- Dual speed convection fan
- Rear and bottom heat shield
- Fan thermostat
- Fan Rheostat

YOUR DEALER



CFM Corporation
 2695 Meadowvale Blvd.
 Mississauga, Ontario
 Canada, L5N 8A3

ph: 1.800.525.1898

www.vermontcastings.com
 www.majesticproducts.com



© 2006 CFM Corporation - All rights reserved. Dutchwest by Vermont Castings™ is a registered trademark of CFM Corporation. In the interest of constant product improvements, we reserve the right to change specifications without notice. Before installations, please read Installation Instructions and check all local Building Codes and Gas Regulations. Please see your Dealer or visit www.vermontcastings.com for complete warranty information.

FC033 - 1000-9117